

PRODUCT SPEC SHEET

D4K

Desktop production of high-resolution, jewelry, dental, and other small parts

Introducing the D4K, the highest resolution professional-grade desktop 3D printer. In addition to having the fastest speed for a standard DLP printer, the D4K from ETEC delivers extremely accurate parts with the finest detail available. The D4K is compatible with most ETEC materials, including options suitable for end-use applications, dental, and jewelry.

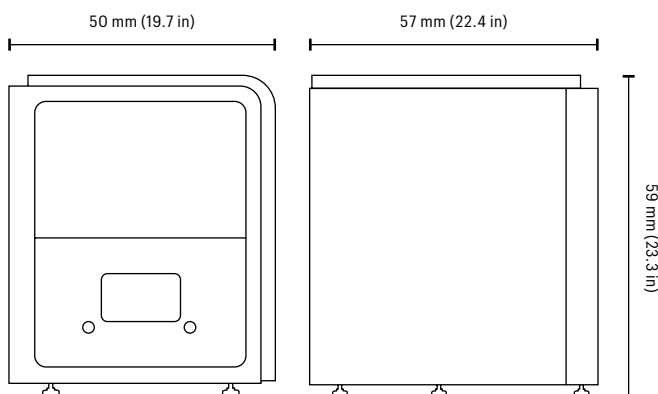
The D4K Industrial is built on the most reliable 4K DLP projector and includes ETECs patented PSA assembly for low peel forces between layers. Brought to you by the original inventors of DLP 3D printing technology.

MATERIAL PROPERTIES*

Build Envelope (L x W x H)	148 x 83 x 110 mm (5.8 x 3.3 x 4.3 in)
Native XY Resolution	50 μ m
Patented Enhanced XY Resolution	25 μ m
Z Resolution	25–100 μ m
LED	385 nm
UI and Connectivity	Touch Screen / Ethernet, USB
Footprint (L x W x H)	50 x 57 x 59 mm (19.7 x 22.4 x 23.2 in)
Weight	56.02 kg (123.5 lbs)
Electrical Requirements	100-240V AC, 1.5A, 50Hz/60Hz

SYSTEM PROPERTIES

- OPEN material access license option available
- Industrial-grade UV LED projector for reliability and consistency
- Material changeover can be done quickly and easily in minutes
- Includes user-friendly Envision One RP software for fast and easy preparation of models, automatic support generation, and a fully integrated Mesh Healing tool.



*Specifications are subject to change without notice.